



The new SOLODISC XXL completes the current SOLODISC range. It has been completely redesigned to increase its width and reach 8.25 m, while further improving its efficiency and advantages. Hereunder, you can find the technical descriptions, novelties and originalities about it:

- **3 new widths** are offered: 6.75 m, 7.5 m and 8.25 m, which allows to significantly improve the productivity.
- The **spacing between its rows of 18.75 cm** (against 21.5 cm on the other SOLODISCs) allows to meet the requirements of customers who want to reduce this distance in order to improve the distribution of slurry and/or reduce the injection depth. It also makes these injectors perfectly suited to saved lands (e. g. maize).
- The **2 vertical Scalper® macerators** allow to reduce the length of the hoses and to keep a constant flow for a perfectly regular and homogeneous distribution.



Non-contractual document. Data can change without notice. The pictures do not necessarily correspond to standard equipment.

- The **discs** in metal and NBR nitrile rubber are **lighter** (5.9 kg - the weight was divided by 2 for a higher resistance to wear thanks to the vulcanization), and given their large diameter (400 mm), the required traction power is smaller.
- The **working depth** varies **from 1 to 6 cm** by modifying the pressure of the hydraulic rams of the linkage on the injector.
- The linkage, category 3 or 4, which is fixed on **3 or 4 wide anchoring points** (860 mm or 1,010 mm), was designed to reduce the overhang.
- A special attention was given to the **total weight** of the machine, which is proportionally **lighter** than on previous models, but there are more discs.
- The **injection elements** are fixed to the frame by means of an axis and can therefore **pivot by 20°** (10° left and 10° right) in bends without lifting the machine nor damaging the arable ground.

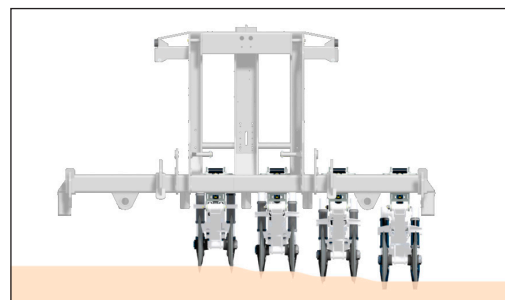


New disc made of metal and NBR nitrile rubber

AVAILABLE OPTIONS (non exhaustive):

- The **hydraulic anti-drip pincers** lock the injection hose by means of a return spring and free it through the hydraulic ram effect. In order to prevent clogging risks, the new models are fitted with cones made to measure, in which the hoses are placed.
- The **hydraulic cross-compensation** (instead of springs) keeps the same ground pressure for each element while preventing structure torsions (with nitrogen accumulators). The elements have a maximum clearance of 10 cm and thanks to the hydraulic rams, they can be lifted independently, which allows the GPS section control closing of elements.
- The **Section-Control** allows to automatically open/close the spreading section by means of a GPS application. If the user drives on an area which he has already spread, the system closes the hydraulic pincer and lift the element.

These modifications allow to combine the qualities of **lightness**, **power** and **sturdiness** for a very high work rate.



Clearance of the injection elements



New location of the hose in the cone and new hydraulic pincers



Ref.	Models	Working width (m)	Transport width (m)	Number of elements	Distance between the discs (cm)	Weight (kg)
2798	6750/36SDH2	6.75	2.64	36	18.75	1,950
2799	7500/40SDH2	7.5	2.64	40	18.75	2,200
2800	8250/44SDH2	8.25	2.64	44	18.75	2,640